

Creasol Sender

Externally-powered remote control duplicator

Main features:

Multifrequency: 433.92, 868.3, 288, 300, 306, 310, 315, 318, 330, 390, 404, 418 MHz

Selectable transmission power: from short range to long range

Wide power supply: from 5 to 36Vdc, or from 7 to 27Vac

All parameters, including frequency and power, are selectable through the *Prog* button.

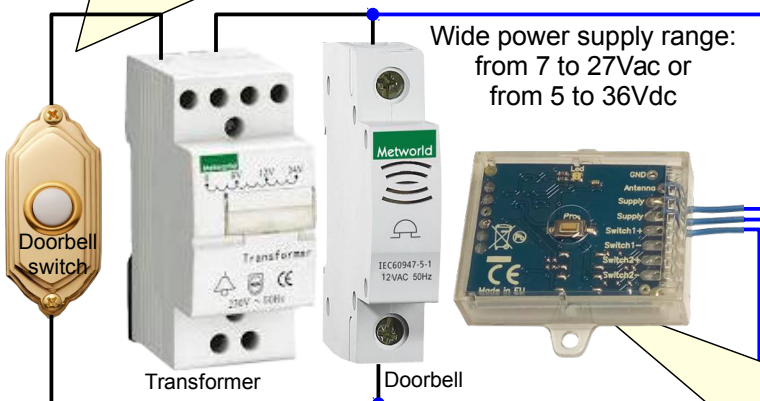
This is not only a transmitter, but a remote control duplicator: this means that in most cases it's possible to activate existing automations without the need to install an additional receiver.



Sample applications and notes

In home automation, to notify some events to the domotic controller

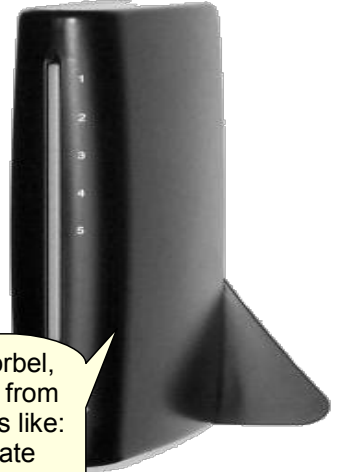
When someone press the doorbell button, both doorbell and *Sender* are supplied. This way, *Sender* notifies the domotic controller that someone has rang the bell.



Antenna



Domotic controller with wireless receiver

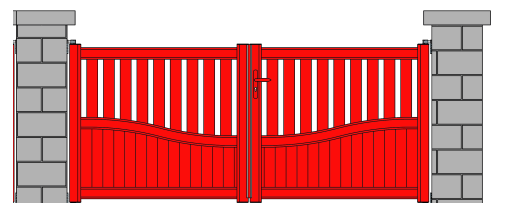
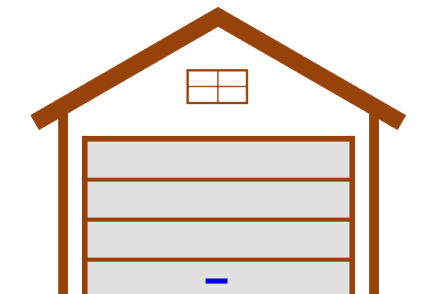
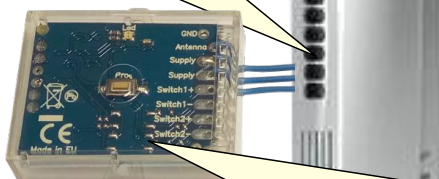


When somebody rang the doorbell, the controller receives a code from *Sender* and starts some actions like: switch on the light, and activate the videosurveillance system.

Sender in basic mode (1 channel transmitter/duplicator): starts transmitting as soon as it's powered.

Connected to the intercom to control a gate, traffic barrier or garage door, that is not already connected by wire

Pressing a button, *Creasol Sender* is powered and starts transmitting a code to open an automation (gate, garage door, ...)



Sender in basic mode (1 channel transmitter/duplicator): starts transmitting as soon as it's powered. Alternatively, *Sender* can be configured in **pulsed mode** (up to 4 channels): pressing button from 1 to 4 times will activate from 1 to 4 different automations

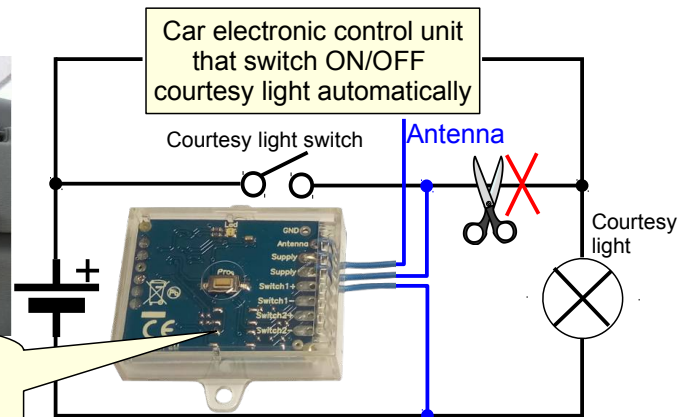
Creasol Sender

Externally-powered remote control duplicator

In the car, to open the gate/garage door using existing courtesy-light switch

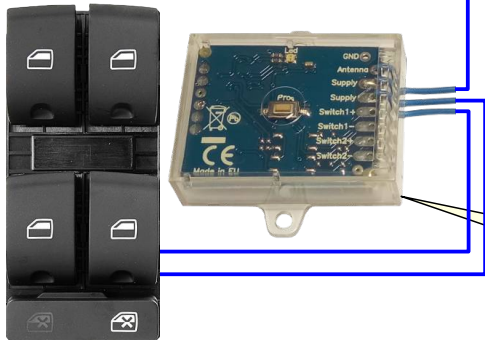


Open the car door to turn courtesy light on, or press the button to start transmitting a code to open the gate, garage door or barrier.



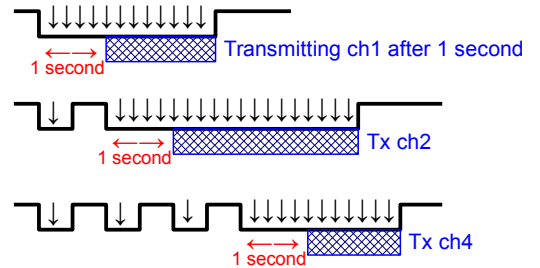
Sender in basic mode (1 channel transmitter/duplicator): starts transmitting as soon as it's powered. Alternatively, **Sender** can be configured in **pulsed mode** (up to 4 channels): pressing button from 1 to 4 times will activate from 1 to 4 different automations

In the car, to open the gate/garage door using additional pushbutton



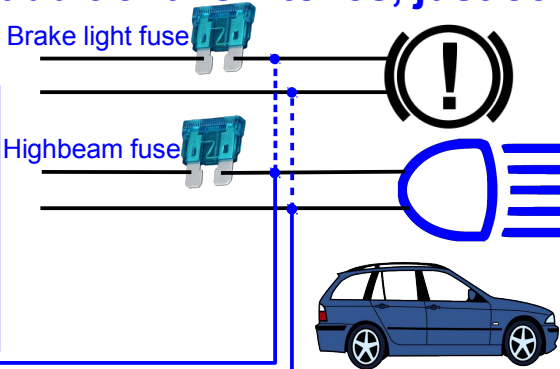
Antenna

Power supply range in pulsed or car mode: from 12 to 27Vac or from 12 to 36Vdc



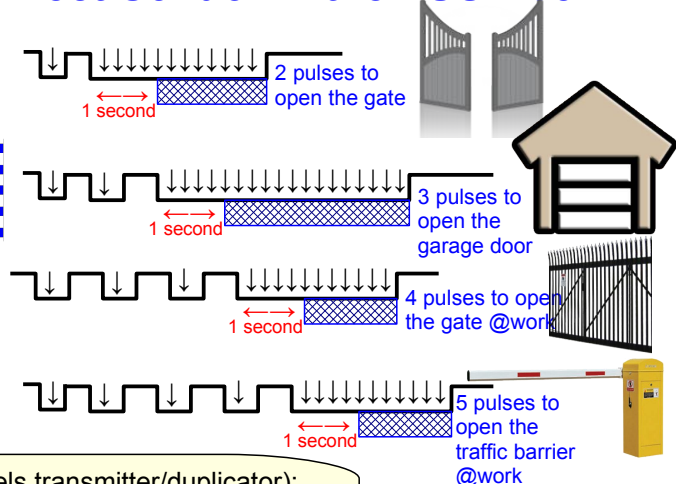
Sender in pulsed mode (1÷4 channels transmitter/duplicator): starts transmitting after 1 second from switch being pushed: 1 pulse=>ch1; 2 pulses=>ch2; 3 pulses=>ch3; 4 pulses=>ch4

Open the gate/garage door by using brake pedal or high-beam lever
No need for additional switches, just connect **Sender** in the **FUSE** box



Power supply range in pulsed or car mode: from 12 to 27Vac or from 12 to 36Vdc

Antenna



Sender in car mode (1÷4 channels transmitter/duplicator): starts transmitting after 1 second from holding down brake pedal or highbeam lever
2 pulses=>ch1; 3 pulses=>ch2; 4 pulses=>ch3; 5 pulses=>ch4

Sender is normally installed **inside the FUSE box**, well protected from water.